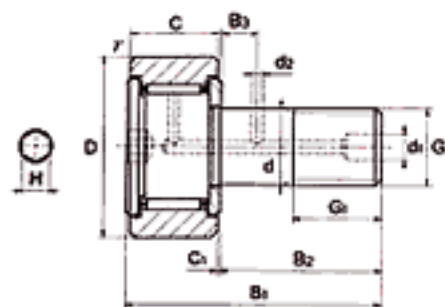


# CAM FOLLOWERS

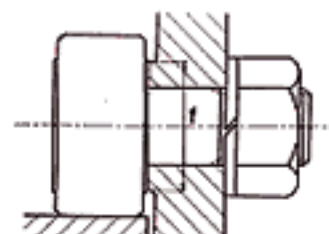
## HEXAGON SOCKET ON THE STUD HEAD



R250 (SCFS)  
R500 (CF5~CF18)  
R1000 (CF20.5)



R250 (SCFS)  
R500 (CF5~CF18)  
R1000 (CF20.5)



### JNS:CF..A TYPE

Stud diameter mm	Dimensions (mm)														Max tightening torque N·m	Basic dynamic load rating Cr N	Basic static load rating Cor N	Largest permissible load N	Track load capacity N	Limiting speed rpm	Designation				Weight g
	D	C	d	Thread																	Cylindrical outer ring		Crowned outer ring		
				G	G <sub>1</sub>	B <sub>1</sub>	B <sub>2</sub>	B <sub>3</sub>	C <sub>1</sub>	d <sub>1</sub>	d <sub>2</sub>	H	r <sub>5min</sub>	f							Without seals	With seals	Without seals	With seals	
3	10	7	3	M3X0.5	5	17	9	—	0.5	— <sup>3)</sup>	—	2	0.2	6.8	0.4	1470	1180	360	1370 540	47000	CF 3A	CF 3UUA	CF 3RA	CF 3UURA	4.5
4	12	8	4	M4X0.7	6	20	11	—	0.5	— <sup>3)</sup>	—	2.5	0.3	8.6	1	2060	2050	780	1760 690	37000	CF 4A	CF 4UUA	CF 4RA	CF 4UURA	7.5
5	13	9	5	M5X0.8	7.5	23	13	—	0.5	— <sup>3)</sup>	—	3	0.3	9.7	2	3140	2770	1420	2250 780	29000	CF 5A	CF 5UUA	CF 5RA	CF 5UURA	10.5
6	16	11	6	M6X1	8	28	16	—	0.6	— <sup>3)</sup>	—	3	0.3	11	3	3630	3630	2110	3430 1080	25000	CF 6A	CF 6UUA	CF 6RA	CF 6UURA	18.5
8	19	11	8	M8X1.25	10	32	20	—	0.6	— <sup>3)</sup>	—	4	0.3	13	8	4310	4710	4710	4020 1370	20000	CF 8A	CF 8UUA	CF 8RA	CF 8UURA	28.5
10	22	12	10	M10X1.25	12	36	23	—	0.6	— <sup>3)</sup>	—	5	0.3	15	15	5390	6860	6860	4700 1670	17000	CF10A	CF10UUA	CF10RA	CF10UURA	45
	26	12	10	M10X1.25 M10X1.0 <sup>4)</sup>	12	36	23	—	0.6	— <sup>3)</sup>	—	5	0.3	15	15	5390	6860	6860	5490 2060	17000	CF10-1A	CF10-1UUA	CF10-1RA	CF10-1UURA	60
12	30	14	12	M12X1.5	13	40	25	6	0.6	6	3	6	0.6	20	22	7940	9800	9800	7060 2450	14000	CF12A	CF12UUA	CF12RA	CF12UURA	95
	32	14	12	M12X1.5	13	40	25	6	0.6	6	3	6	0.6	20	22	7940	9800	9800	7450 2740	14000	CF12-1A	CF12-1UUA	CF12-1RA	CF12-1UURA	105
16	35	18	16	M16X1.5	17	52	32.5	8	0.8	6	3	6	0.6	24	58	12050	18330	18330	11200 3140	10000	CF16A	CF16UUA	CF16RA	CF16UURA	170
18	40	20	18	M18X1.5	19	58	36.5	8	0.8	6	3	6	1	26	87	14700	25200	25200	14400 3720	8500	CF18A	CF18UUA	CF18RA	CF18UURA	250
20	52	24	20	M20X1.5	21	66	40.5	9	0.8	8	4	8	1	36	120	20680	34600	32140	23200 8230	7000	CF20A	CF20UUA	CF20RA	CF20UURA	460
	47	24	20	M20X1.5	21	66	40.5	9	0.8	8	4	8	1	36	120	20680	34600	32140	21000 7150	7000	CF20-1A	CF20-1UUA	CF20-1RA	CF20-1UURA	385
24	62	29	24	M24X1.5	25	80	49.5	11	0.8	8	4	8	1	40	220	30480	52630	49500	34200 10500	6500	CF24A	CF24UUA	CF24RA	CF24UURA	815
	72	29	24	M24X1.5	25	80	49.5	11	0.8	8	4	8	1	40	220	30480	52630	49500	39800 12900	6500	CF24-1A	CF24-1UUA	CF24-1RA	CF24-1UURA	1140
30	80	35	30	M30X1.5	32	100	63	15	1	8	4	8	1	46	450	45370	85060	73700	52600 14900	5000	CF30A	CF30UUA	CF30RA	CF30UURA	1870
	85	35	30	M30X1.5	32	100	63	15	1	8	4	8	1	46	450	45370	85060	73700	56000 16100	5000	CF30-1A	CF30-1UUA	CF30-1RA	CF30-1UURA	2030
	90	35	30	M30X1.5	32	100	63	15	1	8	4	8	1	46	450	45370	85060	73700	59300 17300	5000	CF30-2A	CF30-2UUA	CF30-2RA	CF30-2UURA	2220

● Also cam followers with full roller "CF..VA" type available.

● This type cannot do grease refilling from hexagon socket.

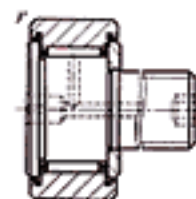
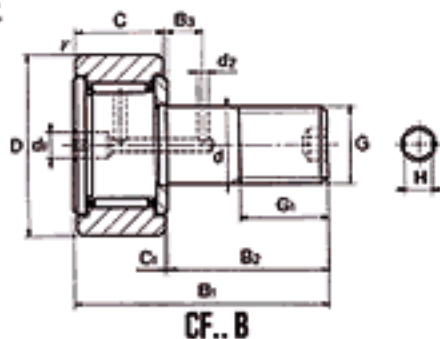
1) Smallest permissible chamfer dimension.

2) Without seals, suitable for grease lubrication. In case of oil lubrication, up to 130% of this value shall be permissible, and 70% of this value shall apply for types with seals.

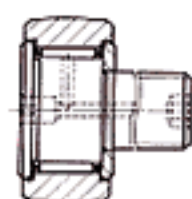
3) No grease refilling hole is provided. 4) Add "K" to the code number end.

# CAM FOLLOWERS

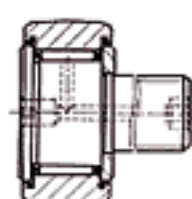
HEXAGON SOCKET ON THE STUD THREAD SIDE



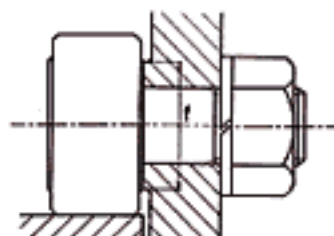
CF.. UUB



CF.. RB



CF.. UURB



## JNS:CF.. B TYPE

Stud diameter mm	Dimensions (mm)														Max tightening torque N·m	Basic dynamic load rating Cr N	Basic static load rating Cor N	Largest permissible load N	Track load capacity N	Limiting speed rpm	Designation				Weight g
	D	C	d	Thread																	Cylindrical outer ring		Crowned outer ring		
				G	G <sub>1</sub>	B <sub>1</sub>	B <sub>2</sub>	B <sub>3</sub>	C <sub>1</sub>	d <sub>1</sub>	d <sub>2</sub>	H	γ <sub>5 min</sub>	f							Without seals	With seals	Without seals	With seals	
12	30	14	12	M12X1.5	13	40	25	6	0.6	6	3	6	0.6	20	22	7940	9800	9800	7080 2450	14000	CF12B	CF12UUB	CF12RB	CF12UURB	95
	32	14	12	M12X1.5	13	40	25	6	0.6	6	3	6	0.6	20	22	7940	9800	9800	7450 2740	14000	CF12-1B	CF12-1UUB	CF12-1RB	CF12-1UURB	105
16	35	18	16	M16X1.5	17	52	32.5	8	0.8	6	3	6	0.6	24	58	12050	18330	18330	11200 3140	10000	CF16B	CF16UUB	CF16RB	CF16UURB	170
18	40	20	18	M18X1.5	19	58	36.5	8	0.8	6	3	6	1	26	87	14700	25200	25200	14400 3720	8500	CF18B	CF18UUB	CF18RB	CF18UURB	250
20	52	24	20	M20X1.5	21	66	40.5	9	0.8	8	4	8	1	36	120	20680	34600	32140	23200 8230	7000	CF20B	CF20UUB	CF20RB	CF20UURB	460
	47	24	20	M20X1.5	21	66	40.5	9	0.8	8	4	8	1	36	120	20680	34600	32140	21000 7150	7000	CF20-1B	CF20-1UUB	CF20-1RB	CF20-1UURB	385
24	62	29	24	M24X1.5	25	80	49.5	11	0.8	8	4	8	1	40	220	30480	52630	49500	34200 10500	6500	CF24B	CF24UUB	CF24RB	CF24UURB	815
	72	29	24	M24X1.5	25	80	49.5	11	0.8	8	4	8	1	40	220	30480	52630	49500	39800 12900	6500	CF24-1B	CF24-1UUB	CF24-1RB	CF24-1UURB	1140
30	80	35	30	M30X1.5	32	100	63	15	1	8	4	8	1	46	450	45370	85060	73700	52600 14900	5000	CF30B	CF30UUB	CF30RB	CF30UURB	1870
	85	35	30	M30X1.5	32	100	63	15	1	8	4	8	1	46	450	45370	85060	73700	56000 16100	5000	CF30-1B	CF30-1UUB	CF30-1RB	CF30-1UURB	2030
	90	35	30	M30X1.5	32	100	63	15	1	8	4	8	1	46	450	45370	85060	73700	59300 17300	5000	CF30-2B	CF30-2UUB	CF30-2RB	CF30-2UURB	2220

● Also cam followers with full roller "CF.. BV" type available.

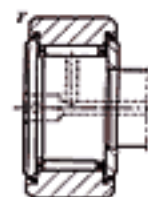
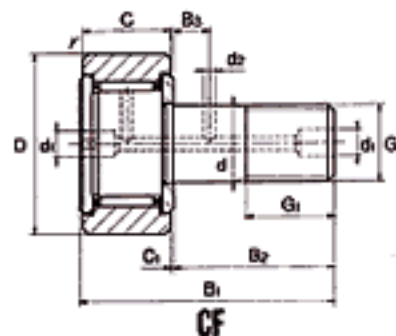
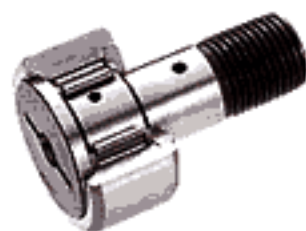
● This type cannot do grease refilling from hexagon socket.

1) Smallest permissible chamfer dimension.

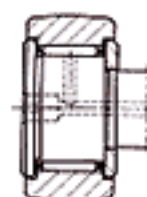
2) Without seals, suitable for grease lubrication. In case of oil lubrication, up to 130% of this value shall be permissible, and 70% of this value shall apply for types with seals.



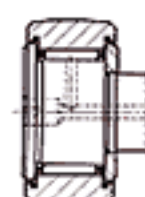
**CAM FOLLOWERS**  
STANDARD



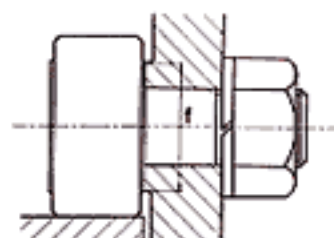
CF..UU



CF..R



CF..UUR



R250 (CF5)  
R500 (CF6~CF8)  
R1000 (CF20-4)

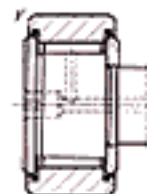
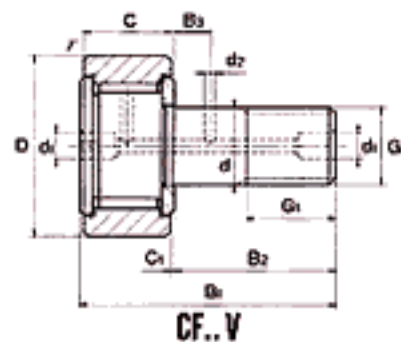
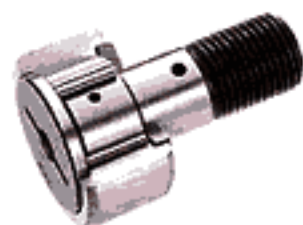
R250 (CF9)  
R500 (CF9~CF18)  
R1000 (CF20-5)

**JNS:CF TYPE**

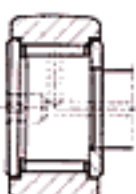
Stud diameter mm	Dimensions (mm)														Max tightening torque N·m	Basic dynamic load rating Cr N	Basic static load rating Cor N	Largest permissible load N	Track load capacity N	Limiting speed rpm	Designation				Weight g
	D	C	d	Thread				1)	f	Cylindrical outer ring		Crowned outer ring													
				G	G1	B1	B2			B3	C1	d1	d2	Without seals							With seals	Without seals	With seals		
5	13	9	5	M5x0.8	7.5	23	13	—	0.5	<sup>3</sup> / <sub>4</sub> 3.1	—	0.3	9.7	2	3140	2770	1420	2250 780	29000	CF 5	CF 5UU	CF 5R	CF 5UUR	10.5	
6	16	11	6	M6x1	8	28	16	—	0.6	<sup>3</sup> / <sub>4</sub> 4	—	0.3	11	3	3630	3630	2110	3430 1080	25000	CF 6	CF 6UU	CF 6R	CF 6UUR	18.5	
8	19	11	8	M8x1.25	10	32	20	—	0.6	<sup>3</sup> / <sub>4</sub> 4	—	0.3	13	8	4310	4710	4710	4020 1370	20000	CF 8	CF 8UU	CF 8R	CF 8UUR	28.5	
10	22	12	10	M10x1.25 M10x1.0 <sup>4)</sup>	12	36	23	—	0.6	<sup>3</sup> / <sub>4</sub> 4	—	0.3	15	15	5390	6860	6860	4700 1670	17000	CF10	CF10UU	CF10R	CF10UUR	45	
	26	12	10	M10x1.25 M10x1.0 <sup>4)</sup>	12	36	23	—	0.6	<sup>3</sup> / <sub>4</sub> 4	—	0.3	15	15	5390	6860	6860	5490 2060	17000	CF10-1	CF10-1UU	CF10-1R	CF10-1UUR	60	
12	30	14	12	M12x1.5	13	40	25	6	0.6	6	3	0.6	20	22	7940	9800	9800	7060 2450	14000	CF12	CF12UU	CF12R	CF12UUR	95	
	32	14	12	M12x1.5	13	40	25	6	0.6	6	3	0.6	20	22	7940	9800	9800	7450 2740	14000	CF12-1	CF12-1UU	CF12-1R	CF12-1UUR	105	
16	35	18	16	M16x1.5	17	52	32.5	8	0.8	6	3	0.6	24	58	12050	18330	18330	11200 3140	10000	CF16	CF16UU	CF16R	CF16UUR	170	
18	40	20	18	M18x1.5	19	58	36.5	8	0.8	6	3	1	26	87	14700	25200	25200	14400 3720	8500	CF18	CF18UU	CF18R	CF18UUR	250	
20	52	24	20	M20x1.5	21	66	40.5	9	0.8	8	4	1	36	120	20680	34600	32140	23200 8230	7000	CF20	CF20UU	CF20R	CF20UUR	460	
	47	24	20	M20x1.5	21	66	40.5	9	0.8	8	4	1	36	120	20680	34600	32140	21000 7150	7000	CF20-1	CF20-1UU	CF20-1R	CF20-1UUR	385	
24	62	29	24	M24x1.5	25	80	49.5	11	0.8	8	4	1	40	220	30480	52630	49500	34200 10500	6500	CF24	CF24UU	CF24R	CF24UUR	815	
	72	29	24	M24x1.5	25	80	49.5	11	0.8	8	4	1	40	220	30480	52630	49500	39800 12900	6500	CF24-1	CF24-1UU	CF24-1R	CF24-1UUR	1140	
30	80	35	30	M30x1.5	32	100	63	15	1	8	4	1	46	450	45370	85060	73700	52600 14900	5000	CF30	CF30UU	CF30R	CF30UUR	1870	
	85	35	30	M30x1.5	32	100	63	15	1	8	4	1	46	450	45370	85060	73700	56000 16100	5000	CF30-1	CF30-1UU	CF30-1R	CF30-1UUR	2030	
	90	35	30	M30x1.5	32	100	63	15	1	8	4	1	46	450	45370	85060	73700	59300 17300	5000	CF30-2	CF30-2UU	CF30-2R	CF30-2UUR	2220	

1) Smallest permissible chamfer dimension.  
 2) Without seals, suitable for grease lubrication. In case of oil lubrication, up to 130% of this value shall be permissible, and 70% of this value shall apply for types with seals.  
 3) The grease refilling hole is machined only for the head.  
 4) Add "K" to the code number end.

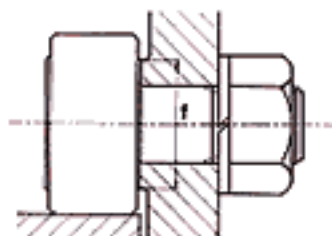
**CAM FOLLOWERS**  
FULL ROLLER STANDARD



R500 (CF6~CF18)  
R1000 (CF20~)



R500 (CF6~CF18)  
R1000 (CF20~)



**JNS:CF.. V TYPE**

CF..V

CF..VUU

CF..VR

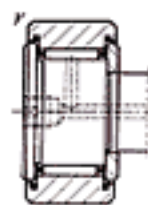
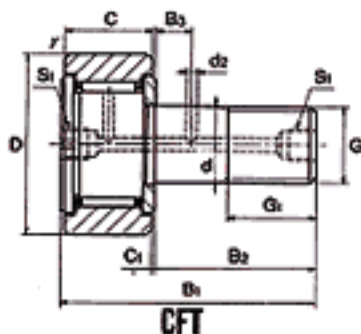
CF..VUUR

Stud diameter mm	Dimensions (mm)													Max tightening torque N·m	Basic dynamic load rating Cr N	Basic static load rating Cor N	Largest permissible load N	Track load capacity N	Limiting speed <sup>2)</sup> rpm	Designation				Weight g
	D	C	d	Thread		G <sub>1</sub>	B <sub>1</sub>	B <sub>2</sub>	B <sub>3</sub>	C <sub>1</sub>	d <sub>1</sub>	d <sub>2</sub>	f <sub>3 min</sub>							Cylindrical outer ring		Crowned outer ring		
				G	G <sub>1</sub>															Without seals	With seals	Without seals	With seals	
6	16	11	6	M6X1	8	28	16	—	0.6	<sup>3</sup> / <sub>4</sub>	—	0.3	11	3	6960	8530	2110	3430 1060	12000	CF 6V	CF 6VUU	CF 6VR	CF 6VUUR	18.5
	8	19	11	8	M8X1.25	10	32	20	—	0.6	<sup>3</sup> / <sub>4</sub>	—	0.3	13	8	8130	11170	4710	4020 1370	9000	CF 8V	CF 8VUU	CF 8VR	
10	22	12	10	M10X1.25 M10X1.0 <sup>4)</sup>	12	36	23	—	0.6	<sup>3</sup> / <sub>4</sub>	—	0.3	15	15	9510	14500	7450	4700 1670	7500	CF10V	CF10VUU	CF10VR	CF10VUUR	45
	26	12	10	M10X1.25 M10X1.0 <sup>4)</sup>	12	36	23	—	0.6	<sup>3</sup> / <sub>4</sub>	—	0.3	15	15	9510	14500	7450	5490 2060	7500	CF10-1V	CF10-1VUU	CF10-1VR	CF10-1VUUR	60
12	30	14	12	M12X1.5	13	40	25	6	0.6	6	3	0.6	20	22	13430	19700	11270	7060 2450	6000	CF12V	CF12VUU	CF12VR	CF12VUUR	95
	32	14	12	M12X1.5	13	40	25	6	0.6	6	3	0.6	20	22	13430	19700	11270	7450 2740	6000	CF12-1V	CF12-1VUU	CF12-1VR	CF12-1VUUR	105
16	35	18	16	M16X1.5	17	52	32.5	8	0.8	6	3	0.6	24	58	20680	37630	19800	11200 3140	4500	CF16V	CF16VUU	CF16VR	CF16VUUR	170
18	40	20	18	M18X1.5	19	58	36.5	8	0.8	6	3	1	26	87	25280	51350	26560	14400 3720	3500	CF18V	CF18VUU	CF18VR	CF18VUUR	250
20	52	24	20	M20X1.5	21	66	40.5	9	0.8	8	4	1	36	120	33120	64480	32140	23200 8230	3500	CF20V	CF20VUU	CF20VR	CF20VUUR	460
	47	24	20	M20X1.5	21	66	40.5	9	0.8	8	4	1	36	120	33120	64480	32140	21000 7150	3500	CF20-1V	CF20-1VUU	CF20-1VR	CF20-1VUUR	385
24	62	29	24	M24X1.5	25	80	49.5	11	0.8	8	4	1	40	220	46550	92020	49500	34200 10500	3000	CF24V	CF24VUU	CF24VR	CF24VUUR	815
	72	29	24	M24X1.5	25	80	49.5	11	0.8	8	4	1	40	220	46550	92020	49500	39800 12900	3000	CF24-1V	CF24-1VUU	CF24-1VR	CF24-1VUUR	1140
30	80	35	30	M30X1.5	32	100	63	15	1	8	4	1	46	450	67620	144060	73700	52600 14900	2200	CF30V	CF30VUU	CF30VR	CF30VUUR	1870
	85	35	30	M30X1.5	32	100	63	15	1	8	4	1	46	450	67620	144060	73700	56000 16100	2200	CF30-1V	CF30-1VUU	CF30-1VR	CF30-1VUUR	2030
	90	35	30	M30X1.5	32	100	63	15	1	8	4	1	46	450	67620	144060	73700	59300 17300	2200	CF30-2V	CF30-2VUU	CF30-2VR	CF30-2VUUR	2220

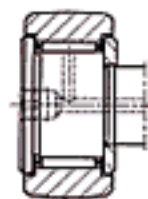
1) Smallest permissible chamfer dimension.  
 2) Without seals, suitable for grease lubrication. In case of oil lubrication, up to 130% of this value shall be permissible, and 70% of this value shall apply for types with seals.  
 3) The grease refilling hole is machined only for the head.  
 4) Add "K" to the code number end.



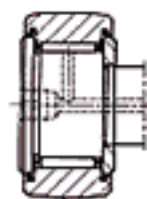
# CAM FOLLOWERS WITH TAP HOLES FOR PIPING



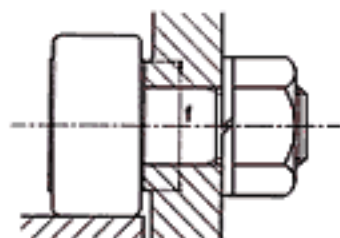
CFT.. UU



CFT.. R



CFT.. UUR



## JNS: CFT TYPE

Stud diameter mm	Dimensions (mm)														Max tightening torque N·m	Basic dynamic load rating Cr N	Basic static load rating Cor N	Largest permissible load N	Track load capacity N	Limiting speed rpm	Designation				Weight g
	D	C	d	Thread		G <sub>1</sub>	B <sub>1</sub>	B <sub>2</sub>	B <sub>3</sub>	C <sub>1</sub>	S <sub>1</sub>	d <sub>2</sub>	r <sub>5 min</sub>	f							Cylindrical outer ring		Crowned outer ring		
				G	G <sub>1</sub>																Without seals	With seals	Without seals	With seals	
6	16	11	6	M6X1	8	28	16	—	0.6	<sup>3)</sup> M6X0.75	—	0.3	11	3	3630	3630	2110	3430 1080	25000	CFT 6	CFT 6UU	CFT 6R	CFT 6UUR	18.5	
				G	G <sub>1</sub>	Without seals	With seals	Without seals	With seals																
8	19	11	8	M8X1.25	10	32	20	—	0.6	<sup>3)</sup> M6X0.75	—	0.3	13	8	4310	4710	4710	4020 1370	20000	CFT 8	CFT 8UU	CFT 8R	CFT 8UUR	28.5	
				G	G <sub>1</sub>	Without seals	With seals	Without seals	With seals																
10	22	12	10	M10X1.25	12	36	23	—	0.6	<sup>3)</sup> M6X0.75	—	0.3	15	15	5390	6860	6860	4700 1670	17000	CFT10	CFT10UU	CFT10R	CFT10UUR	45	
				M10X1.0 <sup>4)</sup>	12	36	23	—	0.6	<sup>3)</sup> M6X0.75	—	0.3	15	15	5390	6860	6860	5490 2060	17000	CFT10-1	CFT10-1UU	CFT10-1R	CFT10-1UUR		
	26	12	10	M10X1.25	12	36	23	—	0.6	<sup>3)</sup> M6X0.75	—	0.3	15	15	5390	6860	6860	7060 2450	14000	CFT12	CFT12UU	CFT12R	CFT12UUR	95	
				M10X1.0 <sup>4)</sup>	12	36	23	—	0.6	<sup>3)</sup> M6X0.75	—	0.3	15	15	5390	6860	6860	7450 2740	14000	CFT12-1	CFT12-1UU	CFT12-1R	CFT12-1UUR		
12	30	14	12	M12X1.5	13	40	25	6	0.6	M6X0.75	3	0.6	20	22	7940	9800	9800	11200 3140	10000	CFT16	CFT16UU	CFT16R	CFT16UUR	170	
				M12X1.5	13	40	25	6	0.6	M6X0.75	3	0.6	20	22	7940	9800	9800	14400 3720	8500	CFT18	CFT18UU	CFT18R	CFT18UUR		
16	35	18	16	M16X1.5	17	52	32.5	8	0.8	Rc1/8	3	0.6	24	58	12050	18330	18330	23200 8230	7000	CFT20	CFT20UU	CFT20R	CFT20UUR	460	
				M16X1.5	17	52	32.5	8	0.8	Rc1/8	3	0.6	24	58	12050	18330	18330	21000 7150	7000	CFT20-1	CFT20-1UU	CFT20-1R	CFT20-1UUR		
18	40	20	18	M18X1.5	19	58	36.5	8	0.8	Rc1/8	3	1	26	87	14700	25200	25200	34200 10500	6500	CFT24	CFT24UU	CFT24R	CFT24UUR	815	
				M18X1.5	19	58	36.5	8	0.8	Rc1/8	3	1	26	87	14700	25200	25200	39800 12900	6500	CFT24-1	CFT24-1UU	CFT24-1R	CFT24-1UUR		
20	52	24	20	M20X1.5	21	66	40.5	9	0.8	Rc1/8	4	1	36	120	20680	34600	32140	52600 14900	5000	CFT30	CFT30UU	CFT30R	CFT30UUR	1870	
				M20X1.5	21	66	40.5	9	0.8	Rc1/8	4	1	36	120	20680	34600	32140	56000 16100	5000	CFT30-1	CFT30-1UU	CFT30-1R	CFT30-1UUR		
24	62	29	24	M24X1.5	25	80	49.5	11	0.8	Rc1/8	4	1	40	220	30480	52630	49500	59300 17300	5000	CFT30-2	CFT30-2UU	CFT30-2R	CFT30-2UUR	2220	
				M24X1.5	25	80	49.5	11	0.8	Rc1/8	4	1	40	220	30480	52630	49500	59300 17300	5000	CFT30-2	CFT30-2UU	CFT30-2R	CFT30-2UUR		

● Also hexagon socket with piping tap "CFT.. A" type or "CFT.. B" type available.

● Also solid eccentric with piping tap "CFHT" type and "CFHT.. A", "CFHT.. B" available.

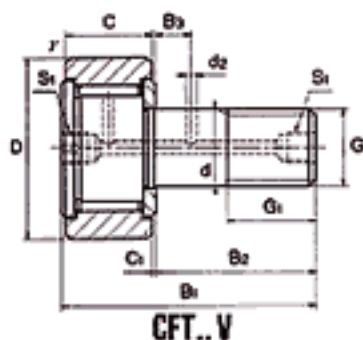
1) Smallest permissible chamfer dimension.

2) Without seals, suitable for grease lubrication. In case of oil lubrication, up to 130% of this value shall be permissible, and 70% of this value shall apply for types with seals.

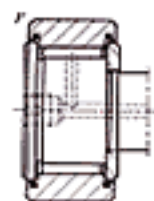
3) The grease refilling hole is machined only for the head. 4) Add "K" to the code number end.

# CAM FOLLOWERS

FULL ROLLER WITH TAP HOLES FOR PIPING



CFT..V



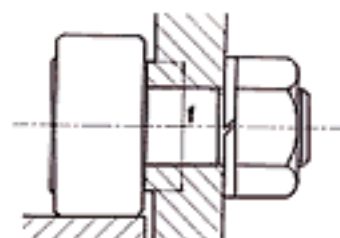
CFT..VUU



CFT..VR



CFT..VUUR



## JNS: CFT..V TYPE

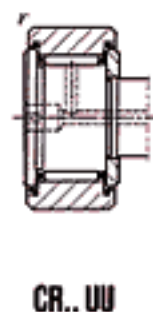
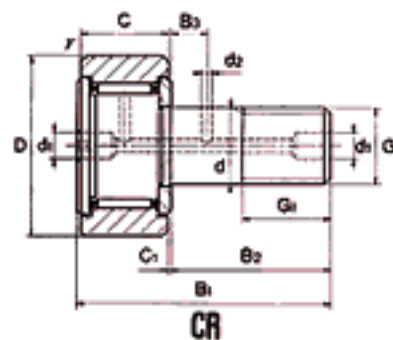
Stud diameter mm	Dimensions (mm)														Max. tightening torque N·m	Basic dynamic load rating Cr N	Basic static load rating Cor N	Largest permissible load N	Track load capacity N	Limiting speed <sup>2)</sup> rpm	Designation				Weight g
	D	C	d	Thread							d <sub>2</sub>	r <sub>min</sub>	f	Cylindrical outer ring							Crowned outer ring				
				G	G <sub>1</sub>	B <sub>1</sub>	B <sub>2</sub>	B <sub>3</sub>	C <sub>1</sub>	S <sub>1</sub>				Without seals							With seals	Without seals	With seals		
6	16	11	6	M6X1	8	28	16	—	0.6	<sup>3)</sup> M6X0.75	—	0.3	11	3	6960	8530	2110	3430 1080	12000	CFT 6V	CFT 6VUU	CFT 6VR	CFT 6VUUR	18.5	
	8	19	11	8	M8X1.25	10	32	20	—	0.6	<sup>3)</sup> M6X0.75	—	0.3	13	8	8130	11170	4710	4020 1370	9000	CFT 8V	CFT 8VUU	CFT 8VR	CFT 8VUUR	28.5
10	22	12	10	M10X1.25 M10X1.0 <sup>4)</sup>	12	36	23	—	0.6	<sup>3)</sup> M6X0.75	—	0.3	15	15	9510	14500	7450	4700 1670	7500	CFT10V	CFT10VUU	CFT10VR	CFT10VUUR	45	
	26	12	10	M10X1.25 M10X1.0 <sup>4)</sup>	12	36	23	—	0.6	<sup>3)</sup> M6X0.75	—	0.3	15	15	9510	14500	7450	5490 2060	7500	CFT10-1V	CFT10-1VUU	CFT10-1VR	CFT10-1VUUR	60	
12	30	14	12	M12X1.5	13	40	25	6	0.6	M6X0.75	3	0.6	20	22	13430	19700	11270	7060 2450	6000	CFT12V	CFT12VUU	CFT12VR	CFT12VUUR	95	
	32	14	12	M12X1.5	13	40	25	6	0.6	M6X0.75	3	0.6	20	22	13430	19700	11270	7450 2740	6000	CFT12-1V	CFT12-1VUU	CFT12-1VR	CFT12-1VUUR	105	
16	35	18	16	M16X1.5	17	52	32.5	8	0.8	Rc1/8	3	0.6	24	58	20680	37630	19800	11200 3140	4500	CFT16V	CFT16VUU	CFT16VR	CFT16VUUR	170	
18	40	20	18	M18X1.5	19	58	36.5	8	0.8	Rc1/8	3	1	26	87	25280	51350	26560	14400 3720	3500	CFT18V	CFT18VUU	CFT18VR	CFT18VUUR	250	
20	52	24	20	M20X1.5	21	66	40.5	9	0.8	Rc1/8	4	1	36	120	33120	64480	32140	23200 8230	3500	CFT20V	CFT20VUU	CFT20VR	CFT20VUUR	460	
	47	24	20	M20X1.5	21	66	40.5	9	0.8	Rc1/8	4	1	36	120	33120	64480	32140	21000 7150	3500	CFT20-1V	CFT20-1VUU	CFT20-1VR	CFT20-1VUUR	385	
24	62	29	24	M24X1.5	25	80	49.5	11	0.8	Rc1/8	4	1	40	220	46550	92020	49500	34200 10500	3000	CFT24V	CFT24VUU	CFT24VR	CFT24VUUR	815	
	72	29	24	M24X1.5	25	80	49.5	11	0.8	Rc1/8	4	1	40	220	46550	92020	49500	39800 12900	3000	CFT24-1V	CFT24-1VUU	CFT24-1VR	CFT24-1VUUR	1140	
30	80	35	30	M30X1.5	32	100	63	15	1	Rc1/8	4	1	46	450	67620	144060	73700	52600 14900	2200	CFT30V	CFT30VUU	CFT30VR	CFT30VUUR	1870	
	85	35	30	M30X1.5	32	100	63	15	1	Rc1/8	4	1	46	450	67620	144060	73700	56000 16100	2200	CFT30-1V	CFT30-1VUU	CFT30-1VR	CFT30-1VUUR	2030	
	90	35	30	M30X1.5	32	100	63	15	1	Rc1/8	4	1	46	450	67620	144060	73700	59300 17300	2200	CFT30-2V	CFT30-2VUU	CFT30-2VR	CFT30-2VUUR	2220	

● Also hexagon socket with piping tap "CFT..VA" type or "CFT..VB" type available.  
 ● Also solid eccentric with piping tap "CFHT..V" type and "CFHT..VA", "CFHT..VB" type available.  
 1) Smallest permissible chamfer dimension.  
 2) Without seals, suitable for grease lubrication. In case of oil lubrication, up to 130% of this value shall be permissible, and 70% of this value shall apply for types with seals.  
 3) The grease refilling hole is machined only for the head. 4) Add "K" to the code number end.

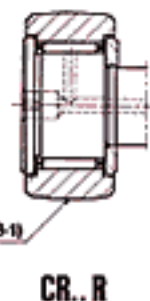


# CAM FOLLOWERS

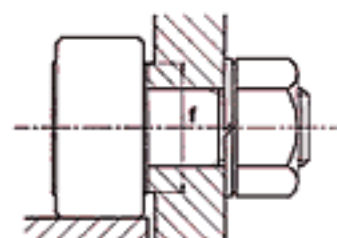
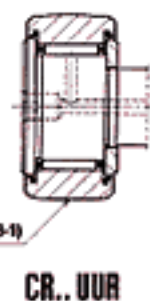
INCH DIMENSION STANDARD



R250 (CR8, CR8-1)  
R500 (CR10-1)



R250 (CR8, CR8-1)  
R500 (CR10-1)



## JNS:CR TYPE

Stud diameter mm (inch)	Dimensions (mm)														Max tightening torque N·m	Basic dynamic load rating Cr N	Basic static load rating Cor N	Track load capacity N	Limiting speed 1) rpm	Designation				Weight g										
	UNF																			Cylindrical outer ring		Crowned outer ring												
	D	C	d	G	G <sub>1</sub>	B <sub>1</sub>	B <sub>2</sub>	B <sub>3</sub>	C <sub>1</sub>	d <sub>1</sub>	d <sub>2</sub>	r	f	Without seals						With seals	Without seals	With seals												
4.826 (-)	1/2	12.700	1/2	8.731	4.826	No.10-32	1/4	6.350	7/8	22.225	1/2	12.700	—	0.8	1/8	3.175	1/4	0.397	3/16	8.334	2	2560	2160	2160 730	28000	CR 8	CR 8UU	CR 8R	CR 8UUR	9				
	1/2	12.700	3/8	9.525	4.826	No.10-32	1/4	6.350	1 1/8	26.194	5/8	15.875	—	0.8	1/8	3.175	1/4	0.397	3/16	8.334	2	2560	2160	2360 730	28000	CR 8-1	CR 8-1UU	CR 8-1R	CR 8-1UUR	10				
6.350 (1/4)	5/8	15.875	3/4	10.319	1/4	6.350	1/4-28	5/16	7.938	1 1/4	26.988	5/8	15.875	—	0.8	1/8	3.175	1/4	0.397	3/16	11.509	3	3630	3630	3230 1180	21000	CR10	CR10UU	CR10R	CR10UUR	19			
	5/8	15.875	7/8	11.112	1/4	6.350	1/4-28	5/16	7.938	1 7/8	30.966	3/4	19.050	—	0.8	1/8	3.175	1/4	0.397	3/16	11.509	3	3630	3630	3430 1180	21000	CR10-1	CR10-1UU	CR10-1R	CR10-1UUR	21			
9.525 (3/8)	3/4	19.050	1/2	12.700	3/8	9.525	3/8-24	3/8	9.525	1 3/8	35.719	7/8	22.225	1/4	6.350	0.8	3/16	4.762	3/16	2.381	1/2	0.794	1/2	13.494	17	4410	5100	4510 1270	15000	CR12	CR12UU	CR12R	CR12UUR	35
	7/8	22.225	1/2	12.700	3/8	9.525	3/8-24	3/8	9.525	1 3/8	35.719	7/8	22.225	1/4	6.350	0.8	3/16	4.762	3/16	2.381	1/2	0.794	1/2	15.081	17	4800	5780	5290 1760	14000	CR14	CR14UU	CR14R	CR14UUR	46
11.112 (7/16)	1	25.400	5/8	15.875	7/16	11.112	7/16-20	1/2	12.700	1 3/4	42.069	1	25.400	1/4	6.350	0.8	3/16	4.762	1/8	3.175	3/16	1.191	5/16	17.669	20	8820	10780	7250 1960	13000	CR16	CR16UU	CR16R	CR16UUR	73
	1 1/8	28.575	5/8	15.875	7/16	11.112	7/16-20	1/2	12.700	1 3/4	42.069	1	25.400	1/4	6.350	0.8	3/16	4.762	1/8	3.175	3/16	1.568	3/4	19.050	20	9210	11560	7740 2350	12000	CR18	CR18UU	CR18R	CR18UUR	88
12.700 (1/2)	1 1/4	31.750	3/4	19.050	1/2	12.700	1/2-20	5/8	15.875	2 1/4	51.594	1 1/4	31.750	5/16	7.938	0.8	3/16	4.762	1/8	3.175	1/4	1.568	5/16	21.628	28	14210	15970	10680 2840	11000	CR20	CR20UU	CR20R	CR20UUR	132
	1 3/8	34.925	3/4	19.050	1/2	12.700	1/2-20	5/8	15.875	2 1/4	51.594	1 1/4	31.750	5/16	7.938	0.8	3/16	4.762	1/8	3.175	1/4	1.568	5/16	21.628	28	14210	15970	11760 2940	11000	CR22	CR22UU	CR22R	CR22UUR	157
15.875 (5/8)	1 1/2	38.100	7/8	22.225	5/8	15.875	5/8-18	3/4	19.050	2 3/4	61.119	1 1/2	38.100	3/8	9.525	0.8	3/16	4.762	5/16	3.969	1/4	1.568	1 3/16	26.196	64	18520	24210	15390 3820	8500	CR24	CR24UU	CR24R	CR24UUR	225
	1 5/8	41.275	7/8	22.225	5/8	15.875	5/8-18	3/4	19.050	2 3/4	61.119	1 1/2	38.100	3/8	9.525	0.8	3/16	4.762	5/16	3.969	1/4	1.568	1 3/16	26.196	64	18520	24210	16660 3820	8500	CR26	CR26UU	CR26R	CR26UUR	260
19.050 (3/4)	1 3/4	44.450	1	25.400	3/4	19.050	3/4-16	7/8	22.225	2 3/4	70.644	1 3/4	44.450	7/16	11.112	0.8	3/8	4.762	5/16	3.969	1/4	1.568	1 9/16	32.543	117	25090	38220	20970 3820	7000	CR28	CR28UU	CR28R	CR28UUR	366
	1 7/8	47.625	1	25.400	3/4	19.050	3/4-16	7/8	22.225	2 3/4	70.644	1 3/4	44.450	7/16	11.112	0.8	3/8	4.762	5/16	3.969	1/4	1.568	1 9/16	32.543	117	25090	38220	22440 4700	7000	CR30	CR30UU	CR30R	CR30UUR	410
22.225 (7/8)	2	50.800	1 1/4	31.750	7/8	22.225	7/8-14	1	25.400	3 3/4	83.344	2	50.800	1/2	12.700	0.8	3/8	4.762	3/16	4.762	1/4	1.568	1 5/8	37.306	186	32440	63800	30870 4900	5500	CR32	CR32UU	CR32R	CR32UUR	615
	2 1/4	57.150	1 1/4	31.750	7/8	22.225	7/8-14	1	25.400	3 3/4	83.344	2	50.800	1/2	12.700	0.8	3/8	4.762	3/16	4.762	1/4	1.568	1 5/8	37.306	186	32440	63800	34690 5980	5500	CR36	CR36UU	CR36R	CR36UUR	750

● Also hexagon socket with "CR.. A" type available.  
 ● Also cam followers with full roller "CR.. V" type and "CR.. VA" type available.  
 1) Without seals, suitable for grease lubrication. In case of oil lubrication, up to 130% of this value shall be permissible, and 60% of this value shall apply for types with seals.